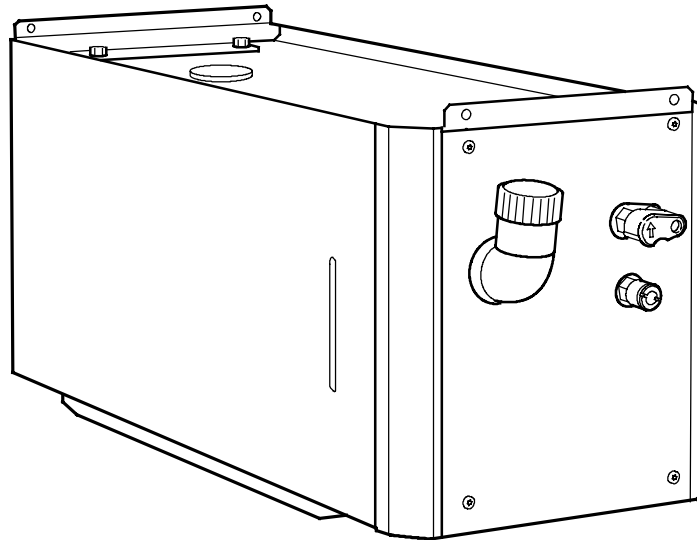


Spare parts list

Edition 090428



Valid for serial no. 835-xxx-xxx,

Ordering no. Product

0460 490 880 CoolMidi 1000

Spare parts are to be ordered through the nearest ESAB agency. Kindly indicate type of unit, serial number, denominations and ordering numbers according to the spare parts list.

Maintenance and repair work should be performed by an experienced person, and electrical work only by a trained electrician. Use only recommended spare parts.

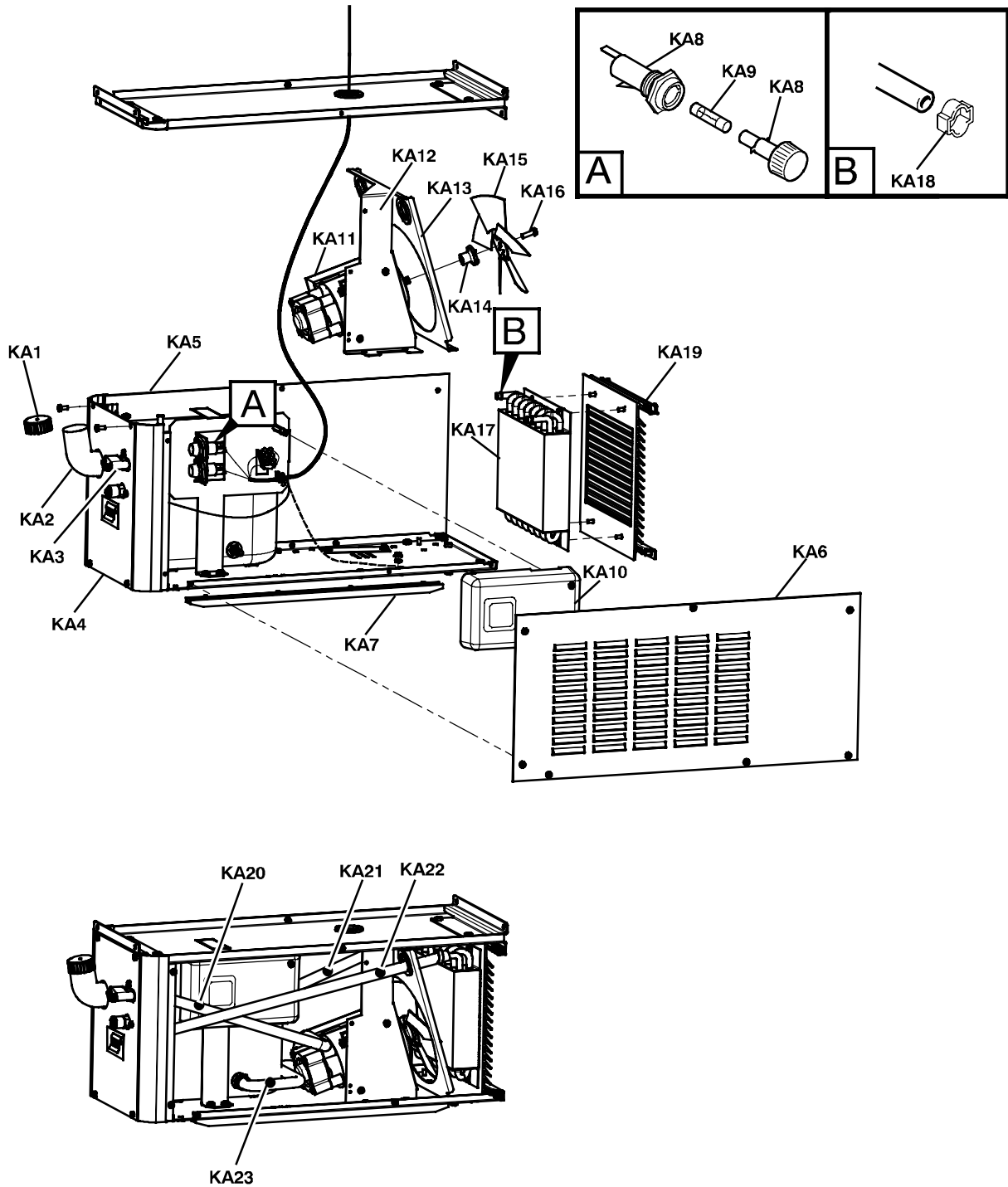
Rights reserved to alter specifications without notice.

CoolMidi 1000

C = component designation in the circuit diagram

Item	Qty	Ordering no.	Denomination	Notes	C
KA1	1	0457 245 002	Tank cap		
KA2	1	0459 044 880	Water tank	with tank cup and hose connections	
KA3	1		Water outlet with lock	For more inform, see page 4.	
KA4	1	0460 486 001	Profile cooler front		
KA5	1	0460 488 001	Side plate	Left	
KA6	1	0460 488 002	Side plate	Right	
KA7	2	0469 223 001	Slide bar		
KA8	2	0459 284 001	Fuse holder		
KA9	2	0459 285 002	Fuse	1 A slow	FU1, FU2
KA10	1	0458 314 001	Dust protection		
KA11	1	0459 803 001	Pump		5M1
KA12	1	0460 498 001	Pump holder and fan plate		
KA13	1	0192 526 002	Sealing strip	L01.3m, to be ordered per metre	
KA14	1		Plastic plug	Included in item KA11	
KA15	1	0153 093 003	Fan		
KA16	1	0194 120 366	Screw	M6x12, included in item KA11	
KA17	1	0414 188 001	Radiator		
KA18			Hose clamp	18.5-706R	
KA19	1	0459 725 009	Profile rear		
KA20	1	0460 563 006	Water hose	D=17/10mm	
KA21	1	0460 563 004	Water hose	D=17/10mm	
KA22	1	0460 563 005	Water hose	D=17/10mm	
KA23	1	0460 563 003	Water hose	D=17/10mm	

CoolMidi 1000

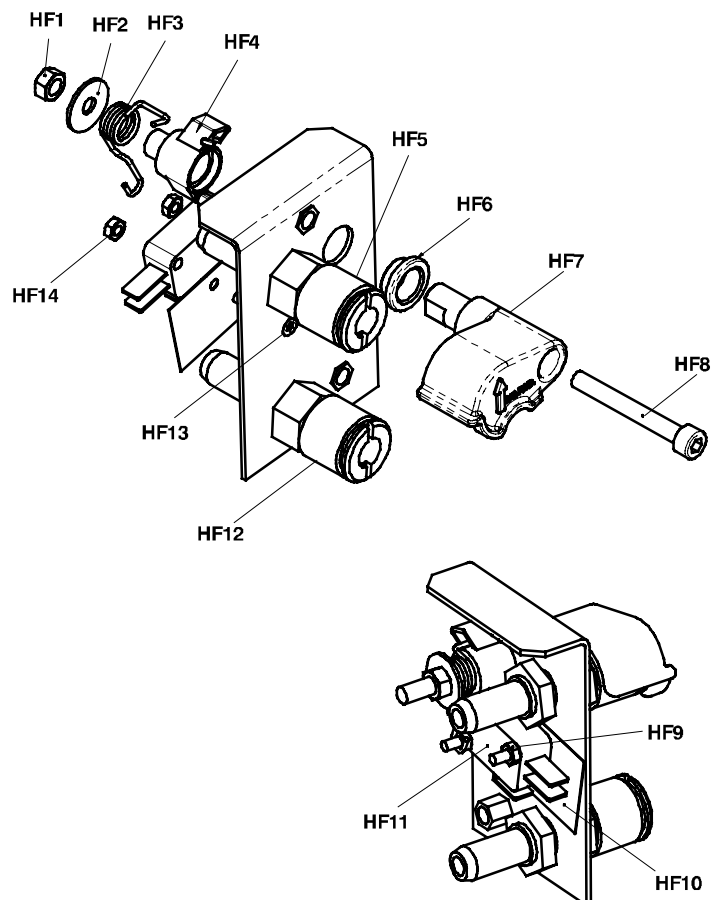


CoolMidi 1000

Item	Qty	Ordering no.	Denomination	Notes
HF1	1		Nut	M5
HF2	1		Washer	D16/5x1
HF3	1		Spring	
HF4	1		Water lock cam	
HF5	1	0365 803 015	Quick connector	Female, blue Note: only for wire feed units
	1	0365 803 009	Quick connector	Female, blue Note: only for power source cooling units
HF6	1		Water lock bushing	
HF7	1		Water lock outlet	
HF8	1		Screw	M5x35
HF9	1		Nut	M3
HF10	1	0458 589 001	Insulation plate	
HF11	1	0458 364 001	Micro switch	
HF12	1	0365 803 014	Quick connector	Female, red Note: only for wire feed units
	1	0365 803 008	Quick connector	Female, red Note: only for power source cooling units
HF13	2		Screw	M3x20
HF14	2		Nut	M3

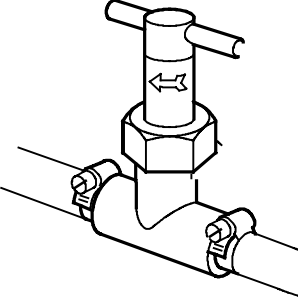
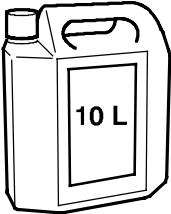
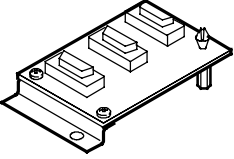
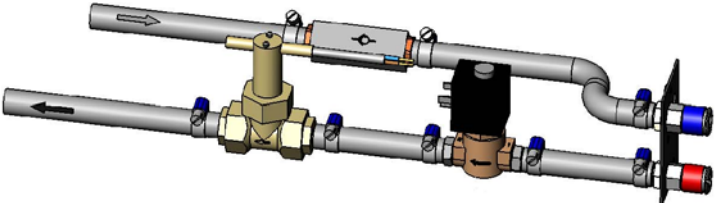
SPARE PARTS SET

Item	Qty	Ordering no.	Denomination	Notes
HF50	1	0458 370 900	Water connection spare kit	Contains items HF1, HF2, HF3, HF4, HF6, HF7 and HF8



H

Accessories

	<p>Water flow guard 0456 855 881</p>
	<p>Coolant Ready mixed (50% water and 50% mono-ethylene glycol) (10 l) 0007 810 012</p>
	<p>Connection kit for welding power source Mig 3001i and Tig 3001i 0460 685 881</p>
	<p>Water return flow guard 0461 203 880 Flow guard, non return valve & solenoid valve</p>

